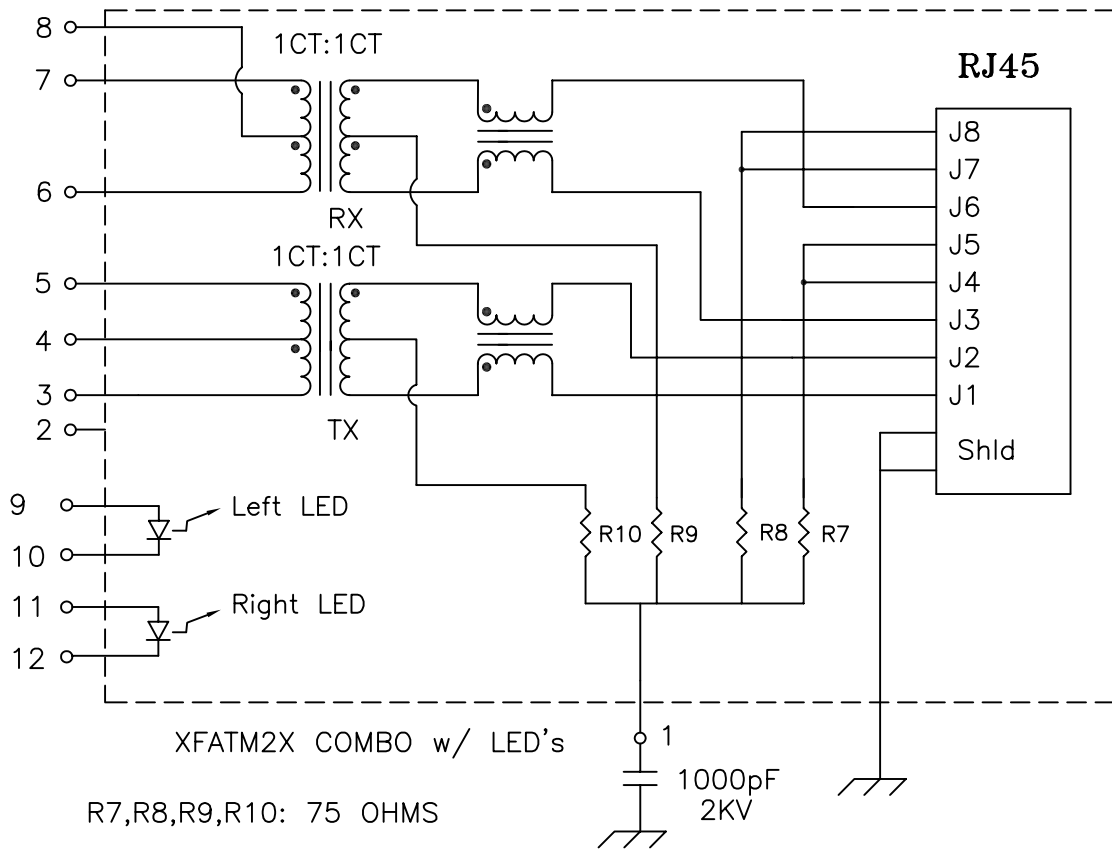


Schematic:



Electrical Specifications: @25°C

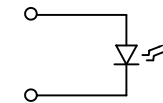
- UTP Impedance: 100 OHMS
- Turns Ratio: TX : 1CT:1CT (±2%) RX : 1CT:1CT (±2%)
- Isolation Voltage: 1500 VAC (Input to Output)
- Isolation Voltage: 500 VAC (3+4+5-6+7+8)
- UTP Side OCL: 350uH Minimum @100KHz,100mV 8mADC
- Insertion Loss (0.3-100MHz): -1.0dB Maximum
- Return Loss: @30MHz -20dB Typ
- @80MHz -15dB Typ
- Rise Time (10-90%): 2nS Typical
- CMRR (03-100MHz): -30dB Typical
- Crosstalk Attenuation (1MHz-100MHz): -30dB Minimum

Complete the Combo P/N as follows:

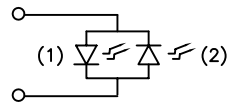
Replace 'x' & 'u' in the part number with one of the LED color letters:

- Y=Yellow 'x' = Left LED Color
- G=Green 'u' = Right LED Color
- A=Amber
- R=Red
- N=Yellow(1)/Green(2) Bicolor
- M=Green(1)/Yellow(2) Bicolor

Single Color LED:

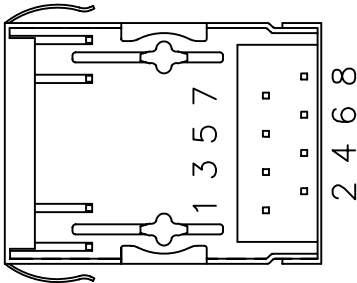
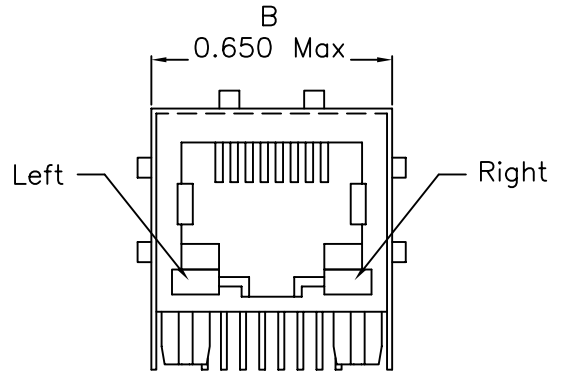
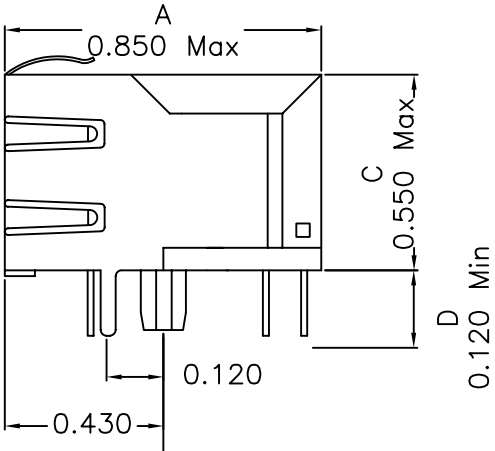
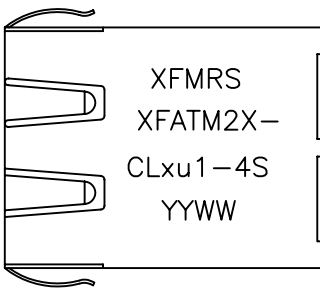


Bi-Color LED:



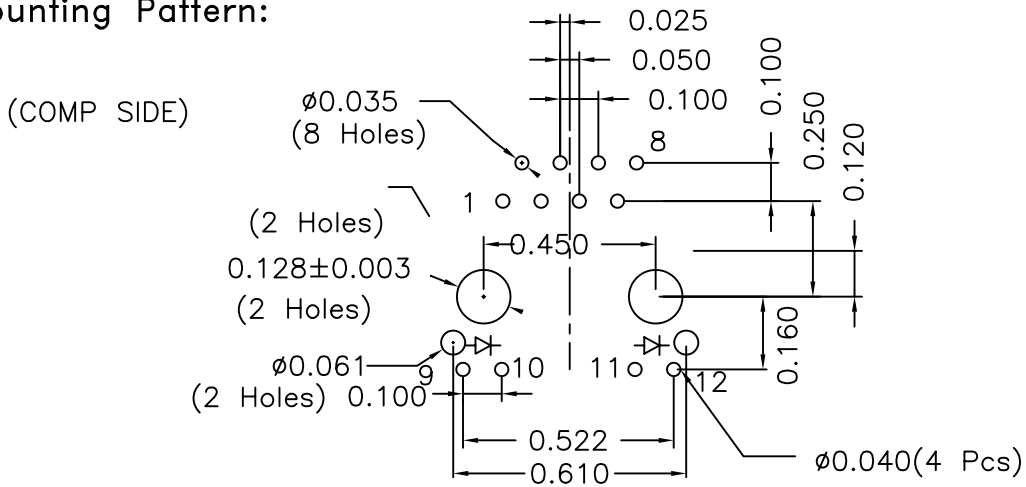
XFMRs Inc.	Title: SINGLE PORT COMBO		
	UNLESS OTHERWISE SPECIFIED TOLERANCES: .xxx ±0.010 Dimensions in Inch	P/N: XFATM2X-CLxu1-4S	REV. A
		DWN. 李小锋	Apr-30-03
		CHK. 廖玉坤	Apr-30-03
		APP. MS	Apr-30-03
SHEET 1 OF 2			

Mechanical Dimensions:



(BOTTOM VIEW)

Mounting Pattern:



DOC. REV: A/2

XFMRS Inc.	Title: Mechanical Dimensions For CLxu1-4S Series	
	UNLESS OTHERWISE SPECIFIED TOLERANCES: .xxx ±0.010 Dimensions in Inch	P/N: XFATM2X-CLxu1-4S REV. A
SHEET 2 OF 2	DWN.	李小锋 Apr-30-03
	CHK.	廖玉坤 Apr-30-03
	APP.	MS Apr-30-03